



## SM-2501/2501G Ethernet Link Protector

### PRODUCT DESCRIPTION

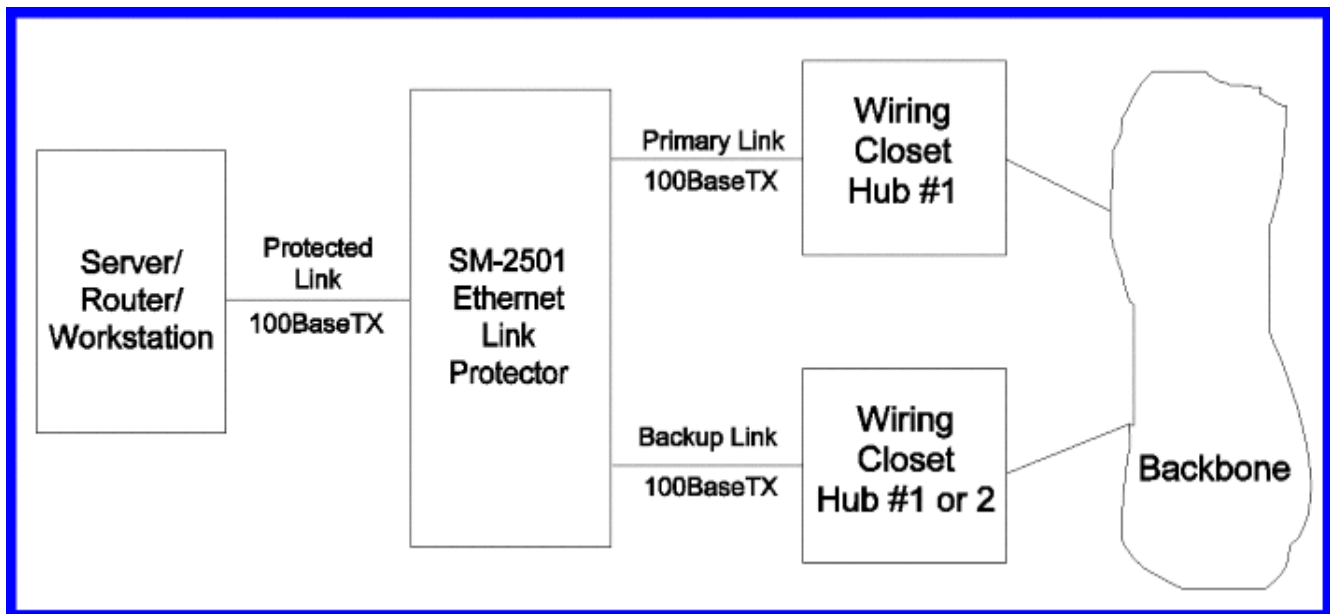
The SM-2501/SM-2501G Ethernet Link Protectors provide a programmable automatic link backup capability to "mission-critical" twisted pair Ethernet links. Protects vital connections to servers, routers, and other key Ethernet devices that require fail-safe link operation. The SM-2501 operates by nonintrusively monitoring a "primary" link and, in the event of a failure, automatically switching to the backup link. The Link Protector does not require any additional network cards in a server and does not require router-level switch-overs if a failure occurs. The backup link can be connected to either another port on a hub or an entirely different hub altogether for greater protection. The unit also functions in a back-to-back configuration for redundant wiring applications.

### FEATURES

- Automatic Switching to Backup Link Occurs Within 600 to 1100 Milliseconds to Avoid Protocol-Timeouts
- Fast Switchover Option
- Power Over Ethernet Support
- Automatic Switch-Back to Primary Link on Restoration of Service
- Supports Autonegotiation for 10/100BaseT (SM-2501) and 10/100/1000BaseT (SM-2501G)
- Completely Transparent in Normal Operation - Does Not Affect IEEE Repeater Budget Calculations
- Audible Alarm and Contact Closure Output for Link Failure Notification
- Default Connection to Primary Link in Case of Power Interruption
- Outbound Generation of Link Integrity Signals to avoid False Alarms on Inactive Links
- Programmable Switchover Delays
- Manual Override for Forced Switching
- Multiple LED Indicators for Status Display
- Jumperless System Configuration Stored in Non-Volatile Memory
- Interoperates with SM-250, SM-2500, SM-2503, and SM-2512 Series Link Protectors

### APPLICATIONS

- Provide Backup for Critical Links to Servers, Routers, and other Vital Equipment
- Protect Against Failures of Primary Link Due to Cable Cuts, Disconnected Cables, and Hub Failures from Malfunctioning Ports, Plug-in Cards, or Power Supplies
- Add Redundant Network Wiring in conjunction with other Shore Microsystems Link Protector products.



## SPECIFICATIONS

- Standards: IEEE 802.3u 100BaseTX and 802.3 10BaseT Ethernet
- Connectors: Three RJ45 Twisted Pair Jacks: One Primary, One Backup, One Direct Station Connection (Server Port); One 3.5mm Alarm Contact Jack; One 12V DC Power
- Size: 4.3"L x 2.8"W x 1.0"H
- Approvals: UL (on Power Supply), FCC Part 15 Class A Compliant
- Warranty: 1 Year Parts and Labor

---

Shore Microsystems, Inc., 45 Memorial Parkway, Long Branch, NJ 732-870-0800, 732-870-1912(Fax),  
www.shoremicro.com

---