



SM-2501F Fiber Ethernet Link Protector

PRODUCT DESCRIPTION

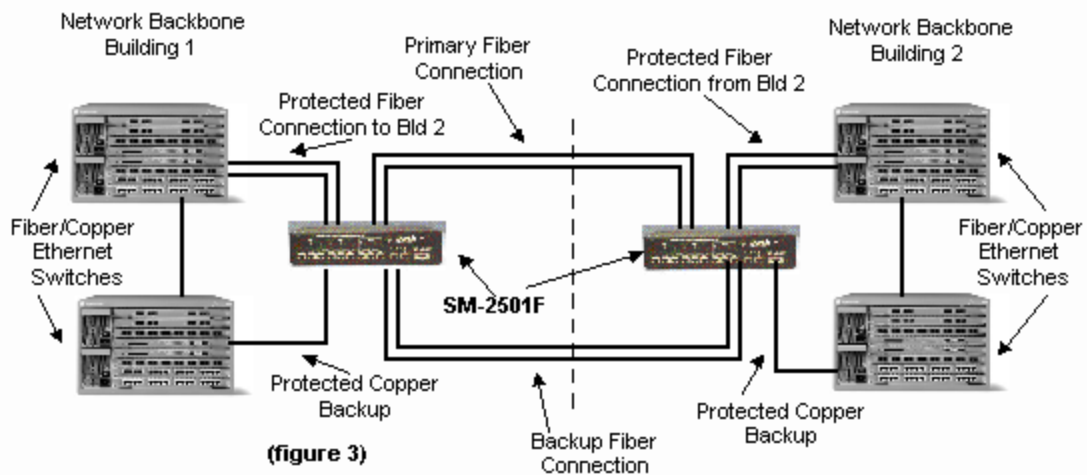
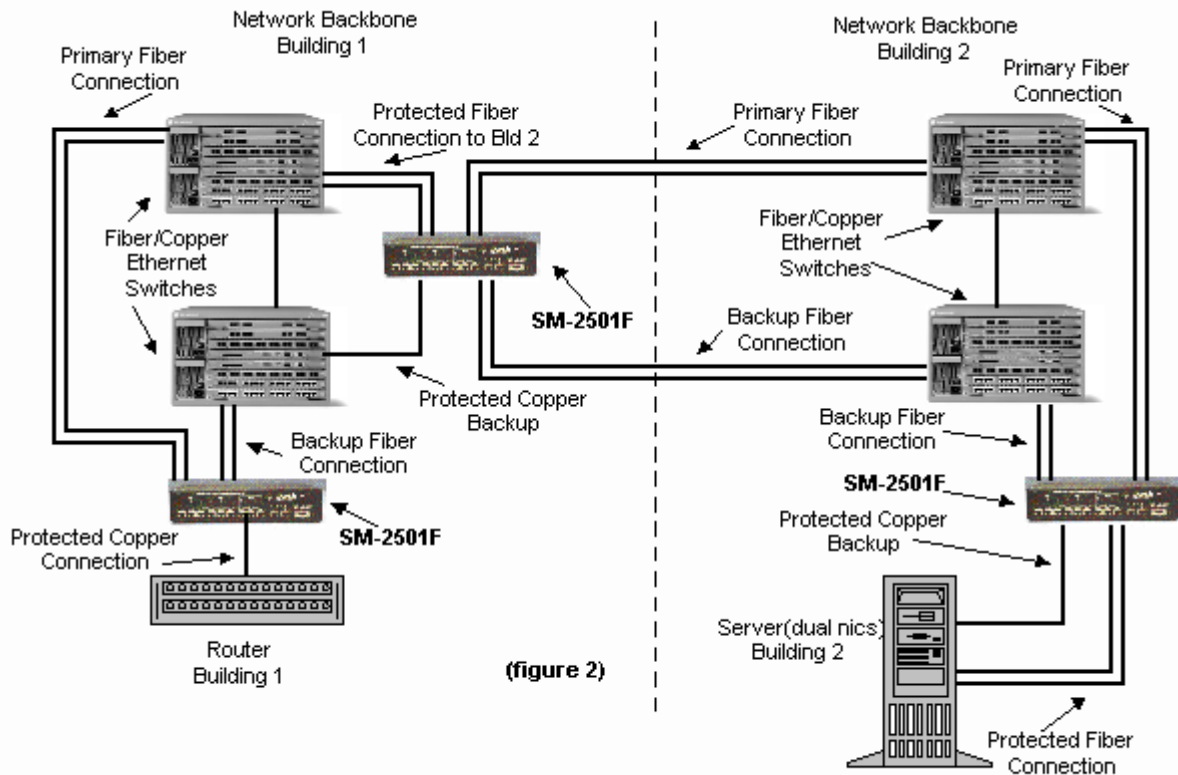
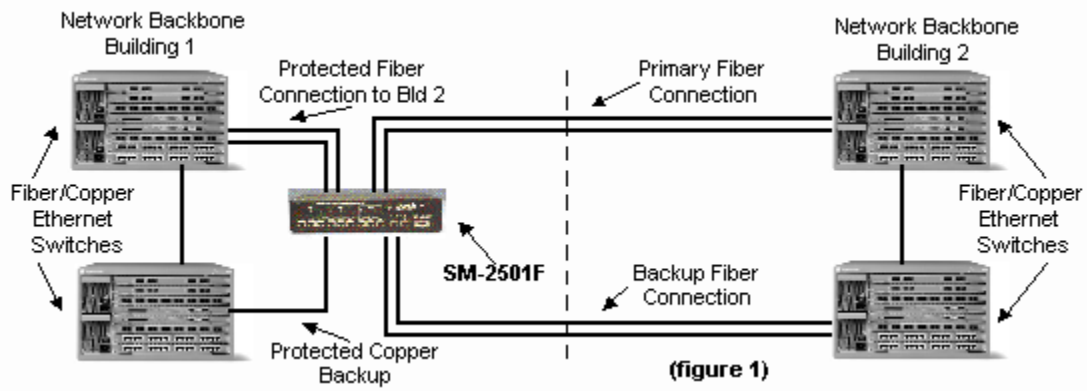
The SM-2501F Fiber Link Protector provides a programmable automatic link backup capability to "mission-critical" 100BaseFX Fiber and 100BaseTX Ethernet links. Protects vital connections to servers, routers, and other key devices that require fail-safe operation. The SM-2501F operates by monitoring a "primary" link and, in the event of a failure, automatically switching to the backup link. The Link Protector does not require any additional network cards in a server and does not require router-level switch-overs if a failure occurs. The backup link can be connected to either another port on a hub/switch or an entirely different hub/switch altogether for greater protection. The unit contains a dual Protected Port (one SC Fiber and one RJ45 Copper) for a redundant station port configuration. The unit also functions in a back-to-back configuration for redundant cable applications.

FEATURES

- Automatic Switching to Backup Link Can Be Programmed To Occur Within 100 to 1100 Milliseconds to Avoid Protocol-Timeouts
- Automatic Switch-Back to Primary Link on Restoration of Service
- Automatic Switching upon Detection of Far-End Faults
- Dual Switchable Protected Station Port for either SC Fiber or RJ45 Ethernet Connectivity(Optional)
- Redundant Protected Port Configuration for Dual NIC Station Ports(Optional)
- Audible Alarm and Contact Closure Output for Link Failure Notification
- Outbound Generation of Link Integrity Signals to avoid False Alarms on Inactive Links
- Manual Override for Forced Switching
- Multiple LED Indicators for Status Display
- Jumperless System Configuration Stored in Non-Volatile Memory
- Dual Power Supplies for High Reliability
- Dual Separate 120V AC Power Inputs(Optional)

APPLICATIONS

- Provide Backup for Critical 100BaseFX and/or 100BaseTX Links to Servers, Routers, and other Vital Equipment (figure 1, 2 ,and 3)
- Protect Against Failures of Primary Link Due to Cable Cuts, Disconnected Cables, and Hub/Switch Failures from Malfunctioning Ports, Plug-in Cards, or Power Supplies
- Provide Backup for Dual NIC Station Port (Servers) Configuration (figure 2)
- Add Redundant Network Wiring in conjunction with other Shore Microsystems Link Protector products (figure 3)
- Provides Real Time Automatic Switching for Network Uptime
- Allows for Prime Time Network Maintenance



SPECIFICATIONS

- Standards: IEEE 802.3u 100BaseTX and 100BaseFX
- Connectors: Three SC Fiber Jacks: One Primary, One Backup, One Direct Station Connection (Server Port); One RJ45 Twisted Pair Jack as a Direct Station Connection (Server Port); One 3.5mm Alarm Contact Jack; One DB9F DCE RS232 Serial Port.
- Power Requirements: 2 110/220V 50/60Hz, 2A or 2 48V DC or one of each
- Size: 1.75" High x 7.5" Deep x 8.5" Wide
- Approvals: FCC Part 15 Class A Compliant
- Warranty: 1 Year Parts and Labor

Shore Microsystems, Inc., 45 Memorial Parkway, Long Branch, NJ 732-870-0800, 732-870-1912(Fax),
www.shoremicro.com