

# SM-2501F Ethernet Link Protector/Failover Switch



## SPECIFICATIONS:

**Standards:** IEEE 802.3u  
Compliant 100BaseTX and  
100BaseFX, Fully RoHS  
Compliant

**Connectors:** Three SC Fiber  
Jacks: One Primary, One  
Backup, One  
Direct Station Connection  
(Server Port); One  
RJ45 Twisted Pair Jack as a  
Direct Station Connection  
(Server Port); One 3.5mm  
Alarm Contact Jack; One  
DB9F DCE RS232 Serial  
Port.

**Power Requirements:** 2  
110/220V 50/60Hz, 2A or 2  
48V DC or one of each

**Size:** 1.75" High x 7.5" Deep  
x 8.5" Wide

**Weight:** 3 lbs 3.2 oz

**Approvals:** FCC Part 15  
Class A Compliant

**Warranty:** 1 Year Parts and  
Labor

## CONTACT:

Telephone:  
732-870-0800

Toll Free:  
1-800-600-9656

Fax:  
732-870-1912

Postal Address:  
45 Memorial Parkway  
Long Branch, New Jersey  
07740  
United States of America

E-mail:

Support:  
support@shoremicro.com

Information:  
info@shoremicro.com

Sales:  
sales@shoremicro.com

Web Address:  
www.shoremicro.com

## PRODUCT DESCRIPTION:

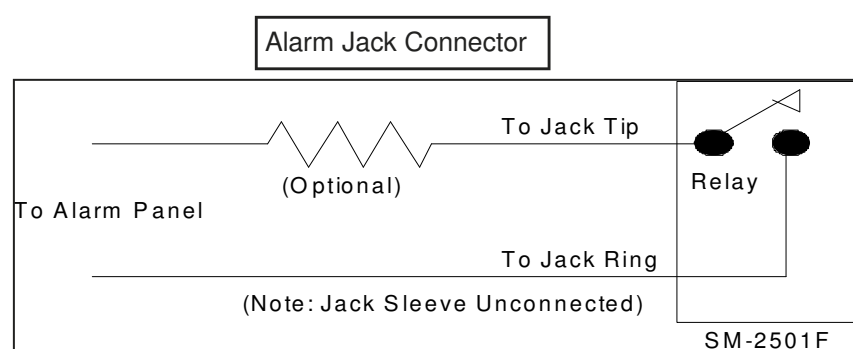
The SM-2501F Fiber Link Protector provides a programmable automatic link backup capability to "mission-critical" 100BaseFX Fiber and 100BaseTX Ethernet links. Protects vital connections to servers, routers, and other key devices that require fail-safe operation. The SM-2501F operates by monitoring a "primary" link and, in the event of a failure, automatically switching to the backup link. The Link Protector does not require any additional network cards in a server and does not require router-level switch-overs if a failure occurs. The backup link can be connected to either another port on a hub/switch or an entirely different hub/switch altogether for greater protection. The unit contains a dual Protected Port (one SC Fiber and one RJ45 Copper) for a redundant station port configuration. The unit also functions in a back-to-back configuration for redundant cable applications.

## FEATURES:

- ◆ Automatic Switching to Backup Link Can Be Programmed To Occur Within 100 to 1100 Milliseconds to Avoid Protocol-Timeouts
- ◆ Automatic Switch-Back to Primary Link on Restoration of Service
- ◆ Automatic Switching upon Detection of Far-End Faults
- ◆ Dual Switchable Protected Station Port for either SC Fiber or RJ45 Ethernet Connectivity(Optional)
- ◆ Redundant Protected Port Configuration for Dual NIC Station Ports(Optional)
- ◆ Audible Alarm and Contact Closure Output for Link Failure Notification
- ◆ Outbound Generation of Link Integrity Signals to avoid False Alarms on Inactive Links
- ◆ Manual Override for Forced Switching
- ◆ Multiple LED Indicators for Status Display
- ◆ Jumperless System Configuration Stored in Non-Volatile Memory
- ◆ Dual Power Supplies for High Reliability
- ◆ Dual Separate 120V AC Power Inputs(Optional)

## APPLICATIONS:

- ◆ Provide Backup for Critical 100BaseFX and/or 100BaseTX Links to Servers, Routers, and other Vital Equipment (figure 1, 2, and 3)
- ◆ Protect Against Failures of Primary Link Due to Cable Cuts, Disconnected Cables, and Hub/Switch Failures from Malfunctioning Ports, Plug-in Cards, or Power Supplies
- ◆ Provide Backup for Dual NIC Station Port (Servers) Configuration
- ◆ Add Redundant Network Wiring in conjunction with other Shore Microsystems Link Protector Products
- ◆ Provides Real Time Automatic Switching for Network Uptime
- ◆ Allows for Prime Time Network Maintenance



Network Diagram

